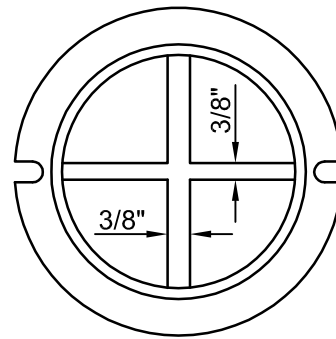
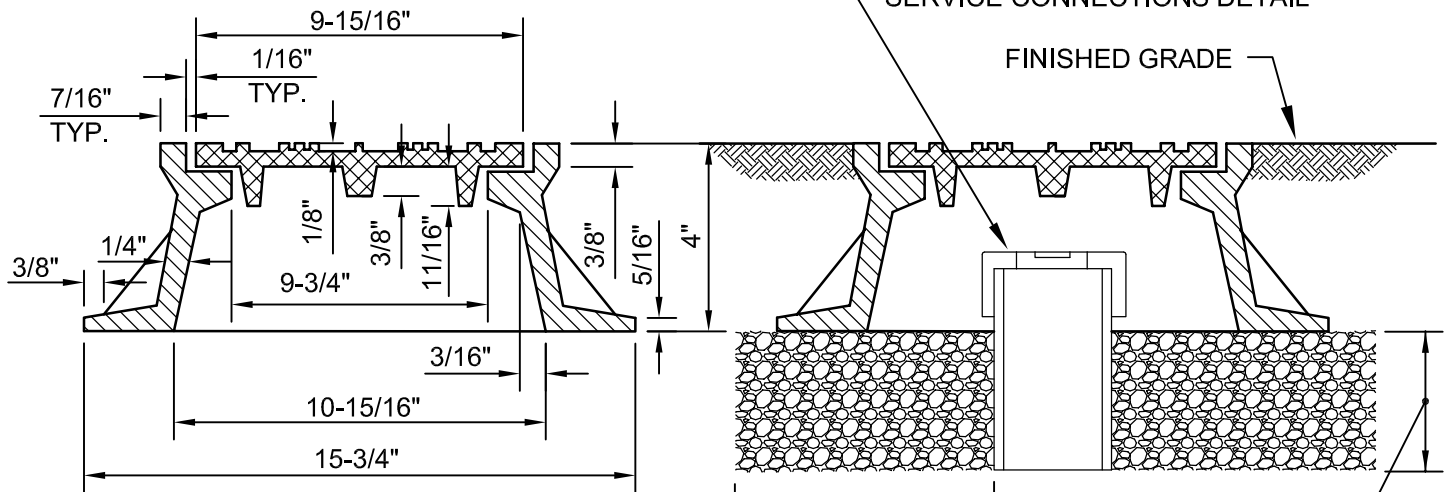


PLAN



BOTTOM VIEW: BOTTOM



SECTION A-A

6" MIN. COMPACTED #57 STONE

NOTES:

1. CLEAN OUT FRAME & COVER TO BE SUPPLIED BY CAPITAL FOUNDRY OF VIRGINIA, INC. OR APPROVED EQUAL.
2. ALL GRAY IRON CASTINGS SHALL CONFORM TO LATEST EDITION OF ASTM A-48, CLASS 30 AND SHALL BE OF UNIFORM QUALITY.
3. ALL CASTING DIMENSIONS SHALL HAVE A TOLERANCE OF 1/8"±.
4. ALL CASTINGS SHALL BE CLEANED BY SHOT BLASTING AND HAND CHIPPING UTILIZING STANDARD INDUSTRY PRACTICES PRIOR TO SHOP APPLICATION OF ASPHALTIC COATING, BY DIPPING.

**SANITARY SERVICE LATERAL
CLEAN OUT FRAME AND COVER**

NOT TO SCALE

REFERENCE
200,802

CATEGORY
SANITARY SYSTEMS

DATE
6/16

SHEET No.
1 OF 1

DETAIL No.
SS_11