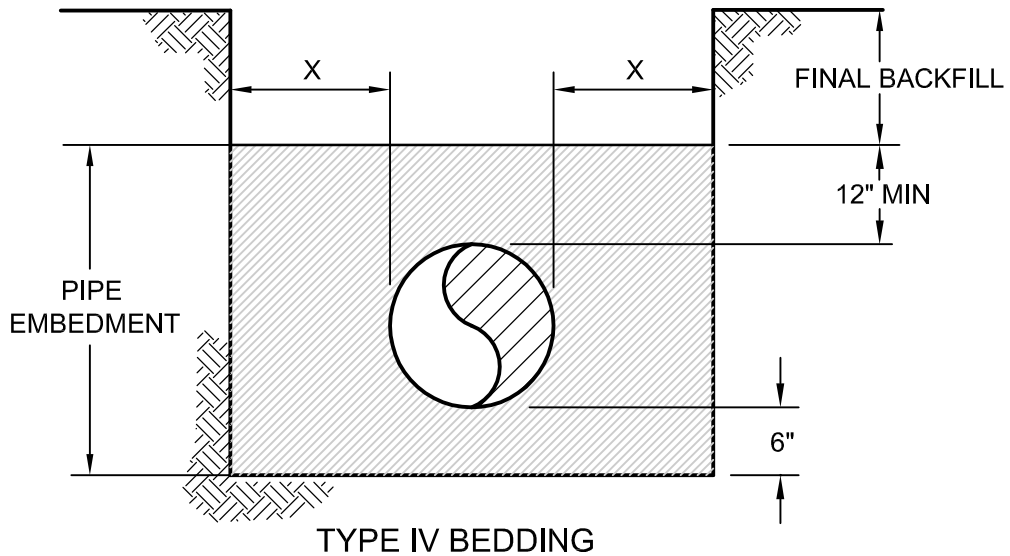
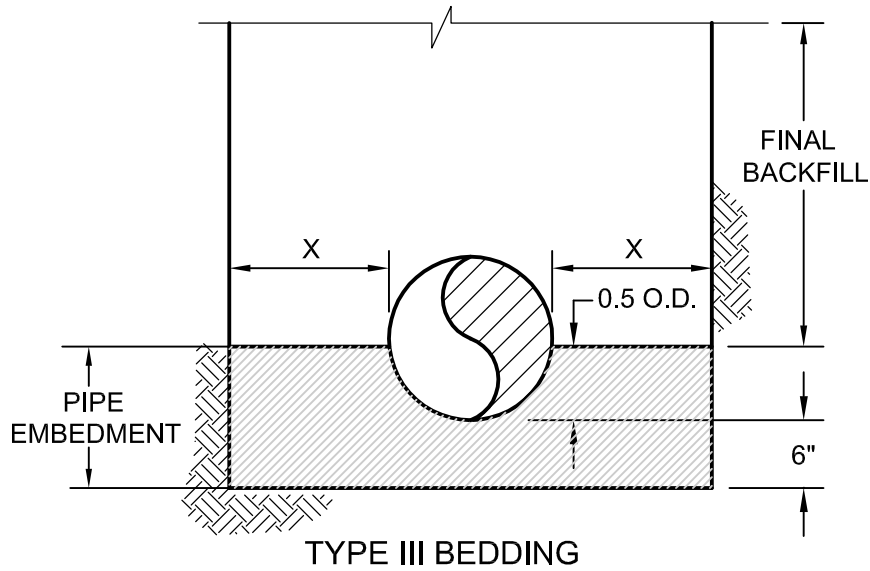
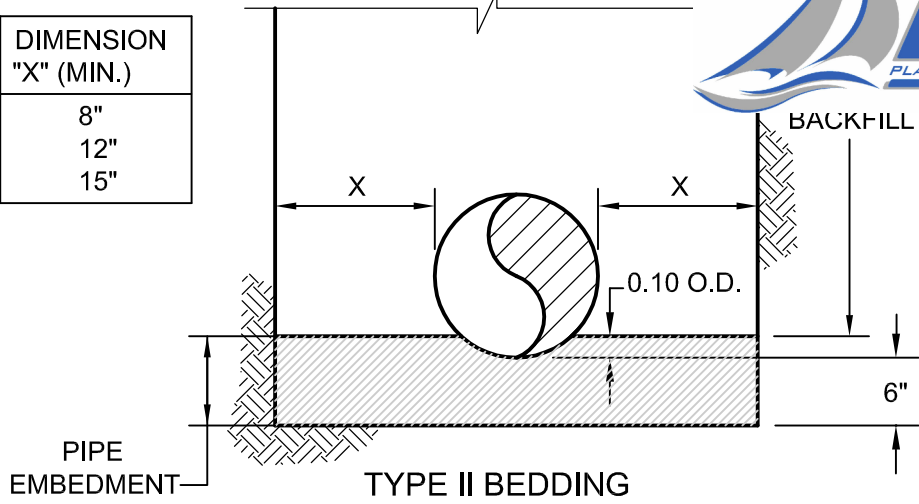


PIPE SIZE	DIMENSION "X" (MIN.)
0"-24"	8"
27"-36"	12"
42"-72"	15"



PIPE BEDDING DETAILS

NOT TO SCALE

NOTES:

1. THESE BEDDING DETAILS ARE NOT INTENDED FOR THERMOPLASTIC STORM DRAINAGE PIPE
2. BEDDING MATERIAL TO BE APPROVED BY LOCALITY BEFORE USE.
3. TRENCH BOTTOM TO BE FREE OF WATER BEFORE PLACING BEDDING.
4. SHAPE RECESSES FOR BELL OF PIPE BY HAND.
5. BACKFILL ABOVE BEDDING WITH SPECIFIED BACKFILL MATERIAL. SEE SPECIFICATIONS SECTION 303.
6. REFER TO CONTRACT DOCUMENTS FOR TYPE OF BEDDING.
7. MINIMUM TRENCH WIDTH SHALL CONFORM TO PIPE MANUFACTURER'S RECOMMENDATIONS IF MORE STRINGENT.
8. TRENCH BOX OR OTHER SHORING METHODS SHALL NOT DISTURB PIPE EMBEDMENT AND BEDDING MATERIAL AFTER COMPACTION.
9. BEDDING SHALL BE INCLUDED IN THE PRICE OF THE PIPE UNLESS OTHERWISE INDICATED.